

apuro

Bains Marie

Instruction manual



**Model • Modèle • Modell • Modello • Modelo • Malli:
L371-A/S007-A/S047-A**

Safety Tips

- Position on a flat, stable surface.
- A service agent/qualified technician should carry out installation and any repairs if required. Do not remove any components on this product.
- Consult Local and National Standards to comply with the following:
 - Health and Safety at Work Legislation
 - Fire Precautions
 - Wiring Regulations
 - Building Regulations
- DO NOT immerse the appliance in water, or use jet/pressure washers to clean it.
- DO NOT touch hot surfaces with bare hands. Always use the handles/protective gloves.
- DO NOT overfill the appliance. Keep the water level below the 'MAX' level.
- DO NOT allow the water level to drop below the 'MIN' level during operation.
- DO NOT move the appliance when it contains hot liquid.
- DO NOT use the appliance for anything other than its intended use.
- Always switch off and disconnect the power supply to the appliance when not in use.
- Not suitable for outdoor use.
- Keep all packaging away from children. Dispose of the packaging in accordance to the regulations of local authorities.
- If the power cord is damaged, it must be replaced by an Apuro agent or a recommended qualified technician in order to avoid a hazard.

- This appliance is not intended for use by persons (including children) with reduced physical, sensory or mental capabilities, or lack of experience or knowledge, unless they have been given supervision or instruction concerning the use of the appliance by a person responsible for their safety.
- Children should be supervised to ensure that they do not play with the appliance.
- Apuro recommend that this appliance is PAT tested on an annual basis to ensure the product remains safe.

Product Description

L371-A - Apuro Bains Marie
S007-A - Apuro Bains Marie with Pans
S047-A - Apuro Bains Marie with Tap and Pans

Introduction

Please take a few moments to carefully read through this manual. Correct maintenance and operation of this machine will provide the best possible performance from your Apuro product.

Pack Contents

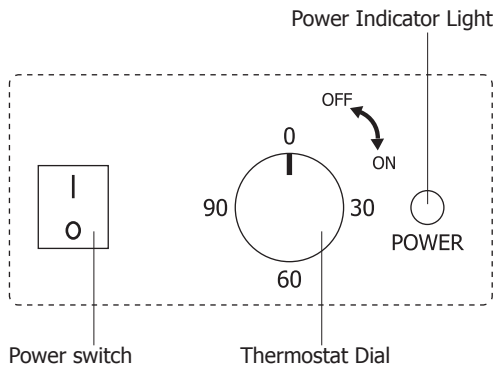
The following is included:

- Apuro Bains Marie
- Pans 2 x 1/3 and 2 x 1/6 (S007/S047 only)
- Support bars (S007/S047 only)
- Instruction manual

Apuro prides itself on quality and service, ensuring that at the time of packaging the contents are supplied fully functional and free of damage.

Should you find any damage as a result of transit, please contact your Apuro dealer immediately.

Operation



1. Connect the appliance to the power supply.
2. Fill the tank with water to a level between the 'MIN' and 'MAX' marks on the inside of the tank.



Note: Apuro recommend that fresh water be used each time the appliance is used.

3. Switch the power switch to the On position [I]. The red power indicator light will turn on.
4. Turn the thermostat to the desired temperature to heat-up the appliance.
5. Once the appliance has heated the water, the power indicator light turns Off.
6. Reduce the heat setting on the Thermostat to maintain temperature.



WARNING: Do not allow the water to drop below the 'MIN' level during operation. Severe damage to the heating element could result.

Maintaining Water Levels

It is important to regularly check the water level in the Bains Marie tank.

- Always keep the water level above the 'MIN' mark on the inside of the tank during operation.
- Damage to the heating element can occur if the tank boils dry and the element may have to be replaced. This is not covered by the Apuro warranty.

Emptying the Appliance



Note: Always switch the appliance off and allow the water to cool before emptying.

L371-A/S007-A - Use a suitable container to remove the water from the appliance.

S047-A - Turn on the tap to drain the water. Ensure a suitable container is used to collect the water.

Thermal Cut-Out Reset

This appliance is fitted with a Thermal Cut-Out safety feature. Should the temperature exceed safe levels the appliance will automatically cut power.

The Safety Cut-out switch is located on the underside of the appliance. To reset the appliance after a sufficient cool-down period:

1. Press the small reset switch down until it clicks, using a blunt pointed instrument.
2. The appliance is now reset and can be used as normal..



WARNING: Ensure the appliance has cooled down and is empty before resetting the switch, as it may need to be tipped slightly to gain access to the switch.

Cleaning, Care & Maintenance



WARNING: Ensure the appliance has cooled down and is empty before resetting. Always turn off and disconnect the appliance from the power supply before cleaning. Always allow the appliance to cool before emptying or cleaning.

- Wipe down the exterior of the appliance with a damp cloth.
- Some cleaning agents may cause damage when used for a prolonged period on stainless steel. Use a suitable stainless steel cleaner.
- Dry the exterior thoroughly.
- Wash all removable parts in warm, soapy water.

Troubleshooting

If your Apuro appliance develops a fault, please check the following table before making a call to the Helpline.

Fault	Probable Cause	Solution
The unit is not working	The unit is not switched on	Check the unit is plugged in correctly and switched on
	Plug and lead are damaged	Call Apuro agent or qualified technician
	Fuse in the plug has blown	Replace the plug fuse
	Power supply	Check power supply
	Internal wiring fault	Call Apuro agent or qualified technician
	Thermal cut-out switch has activated	Reset Thermal cut-out switch (Page 4)
	The thermostat has not been set correctly	Set the thermostat to a higher temperature
	The heating element has failed	Call Apuro agent or qualified technician

Technical Specifications

Model	Voltage	Power	Current	Dimensions H x W x D mm	Weight
L371-A	220-240V 50Hz	1300W	5.5A	245 x 340 x 580	8kg
S007-A	220-240V 50Hz	1300W	5.5A	245 x 340 x 580	10.5kg
S047-A	220-240V 50Hz	1300W	5.5A	245 x 340 x 605	11kg

Electrical Wiring

The plug is to be connected to a suitable mains socket.

This appliance is wired as follows:

- Live wire (coloured brown) to terminal marked L
- Neutral wire (coloured blue) to terminal marked N
- Earth wire (coloured green/yellow) to terminal marked E

This appliance must be earthed.



If in doubt consult a qualified electrician.

Electrical isolation points must be kept clear of any obstructions. In the event of any emergency disconnection being required they must be readily accessible.

Compliance

The product must not be disposed of as household waste. To help prevent possible harm to human health and/or the environment, the product must be disposed of in an approved and environmentally safe recycling process. For further information on how to dispose of this product correctly, contact the product supplier, or the local authority responsible for waste disposal in your area.

Apuro parts have undergone strict product testing in order to comply with regulatory standards and specifications set by international, independent, and federal authorities.



Apuro products have been approved to carry the following symbol:

All rights reserved. No part of these instructions may be produced or transmitted in any form or by any means, electronic, mechanical, photocopying, recording or otherwise, without the prior written permission of Apuro.

Every effort is made to ensure all details are correct at the time of going to press, however, Apuro reserves the right to change specifications without notice.

DECLARATION OF CONFORMITY

Equipment Type	Bain Marie Bain Marie without Tap with Pans 2x1/3 & 2x1/6 150mm Inc Lids Bain Marie with Tap with Pans 2x1/3 & 2x1/6 Pans 150mm Deep Inc Lids
Model	L371-A S007-A S047-A
Legislation	Electrical Safety Electromagnetic Compatibility
Standards	EN 60335-1:2012 +A11:2014 EN 60335-2-50: 2003 +A1:2008 EN 62233:2008 EN 61000-6-3:2007 +A1:2011 +AC:2012 EN 61000-6-1:2007 EN 61000-3-2:2014 EN 61000-3-3:2013
Producer Name	Apuro
Producer Address	15 Badgally Road, Campbelltown, NSW 2560

I, the undersigned, hereby declare that the equipment specified above conforms to the above Legislation and Standard(s).

Date	29th August 2018
Signature	
Full Name	Ashley Hooper
Position	Technical & Quality Manager/ Responsible Supplier



L371-A_S007-A_S047-A_A5_v4_20181108